

Program blocks

Main [OB1]

Main Properties

General

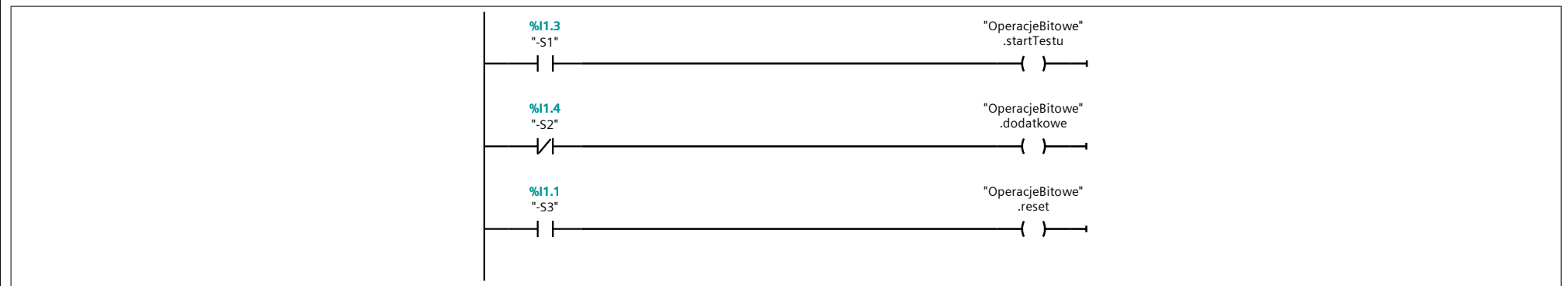
Name	Main	Number	1	Type	OB	Language	LAD
Numbering	Automatic						

Information

Title	"Main Program Sweep (Cycle)"	Author	Stanislaw_Flaga	Comment	Operacje bitowe w LAD. Rozpocząć od przygotowania zestawu TAGów	Family	
Version	0.1	User-defined ID					

Name	Data type	Default value
Temp		
Constant		

Network 1: Przepisanie -S1, -S2, -S3 na bity w DB - konwersja do logiki POZYWNEJ

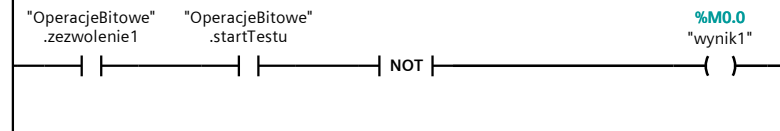


Network 2: Przepisanie znaczników na Q

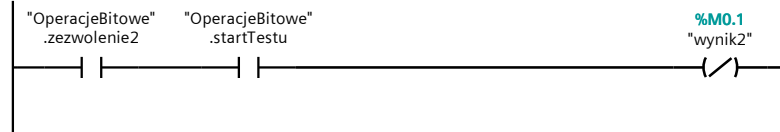
--	--	--



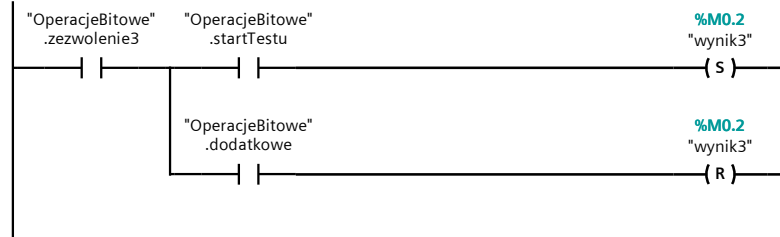
Network 3: Inwersja RLO



Network 4: Przypisanie bitowi wartości zanegowanej

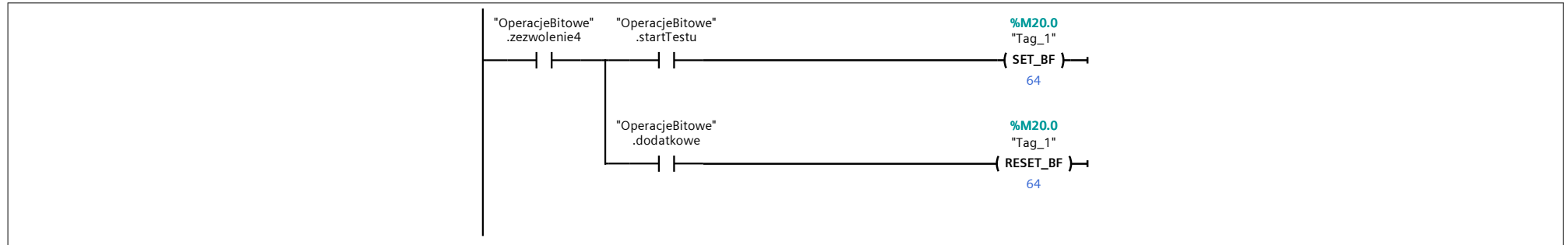


Network 5: Cewki S i R - konstrukcja przerzutnika z priorytetem na R



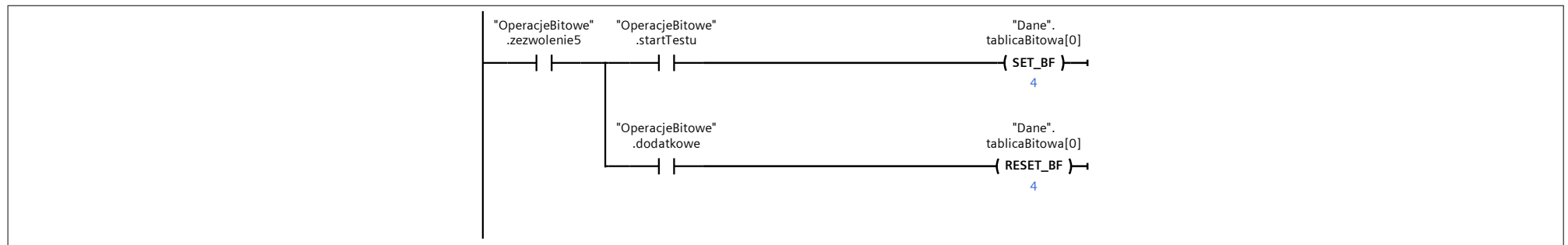
Network 6: Ustawienie i reset pola bitowego w obszarze M

Omówić reprezentację w pamięci

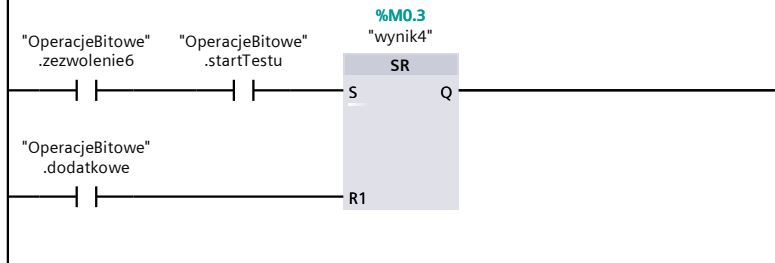


Network 7: Ustawienie i reset elementów tablicy bool w DB

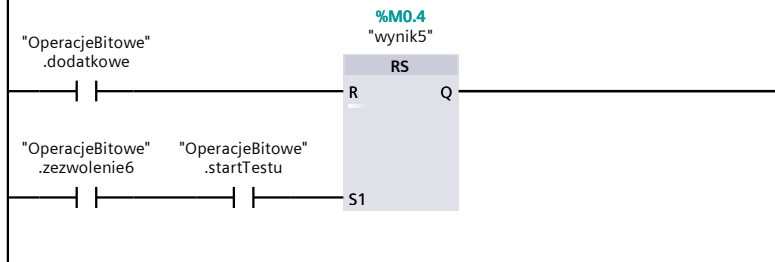
Omówić reprezentację w pamięci



Network 8: Przerzutnik z priorytetem na RESET

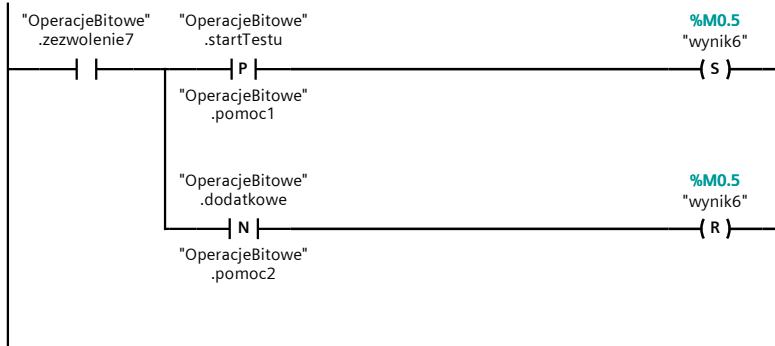


Network 9: Przerzutnik z priorytetem na SET

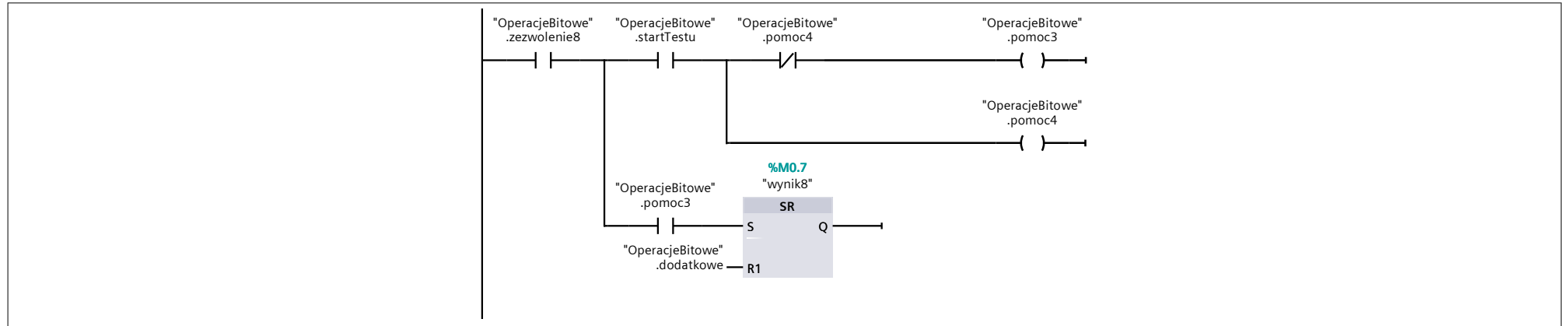


Network 10: Wykrywanie zbocza N i P bitu

UWAGA:

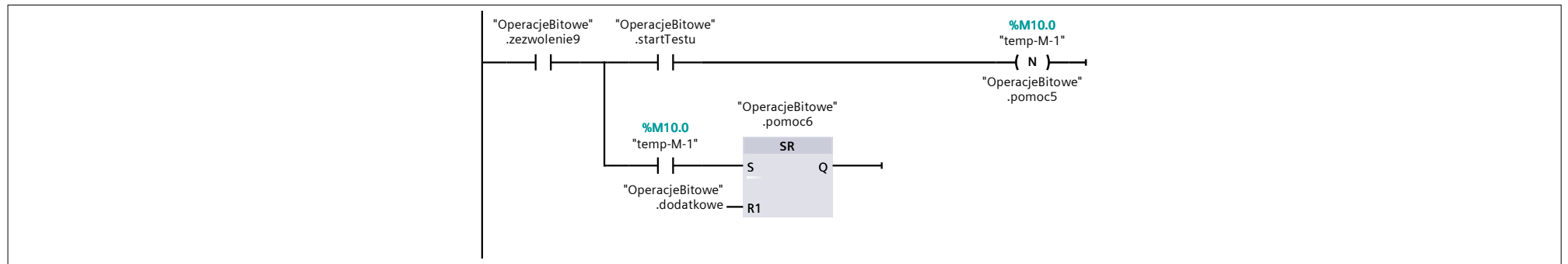


Network 11: Wykrywanie zbrocza P "ręcznie"

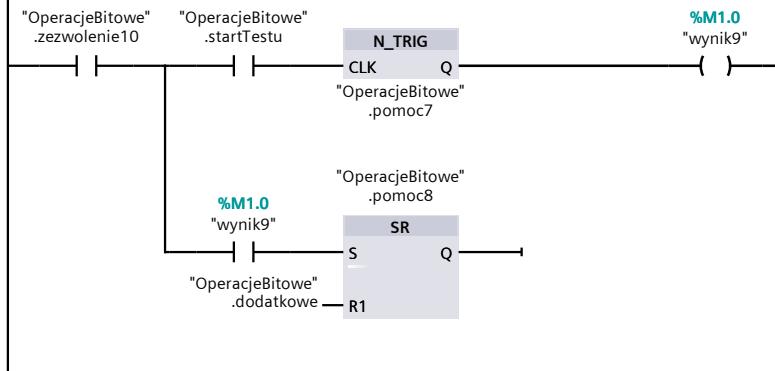


Network 12: (P) (N)

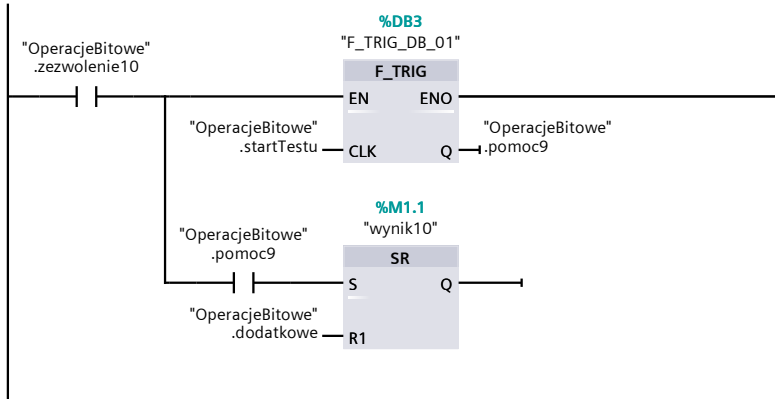
Ustawienie na 1 cykl bitu "temp-M-1" przy odpowiednim zbroczu RLO



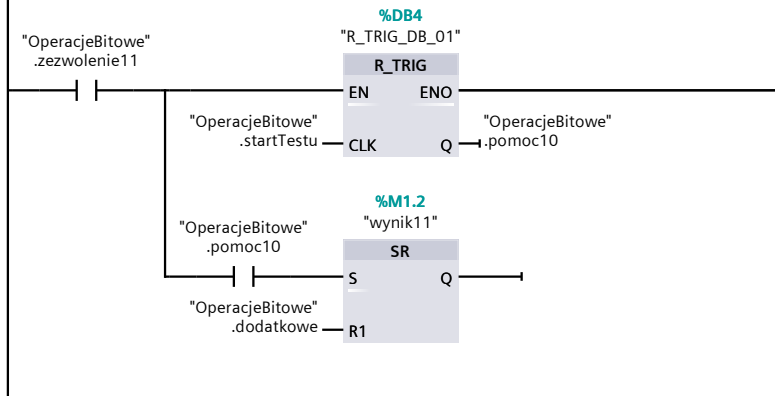
Network 13: Wykrywanie zbrocza P lub N na RLO



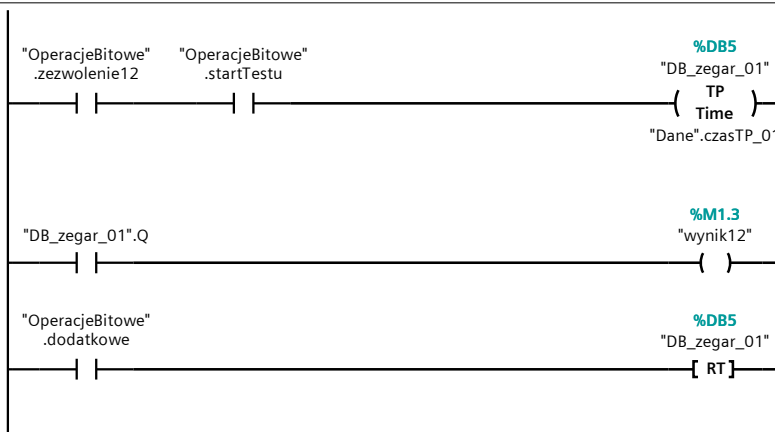
Network 14: Blok Funkcyjny wykrywający zbocze N na bicie CLK przy aktywnym EN



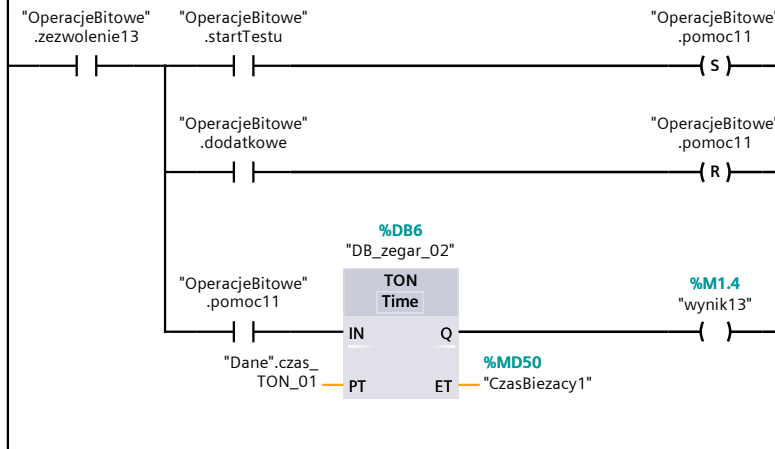
Network 15: Blok Funkcyjny wykrywający zbocze N na bicie CLK przy aktywnym EN



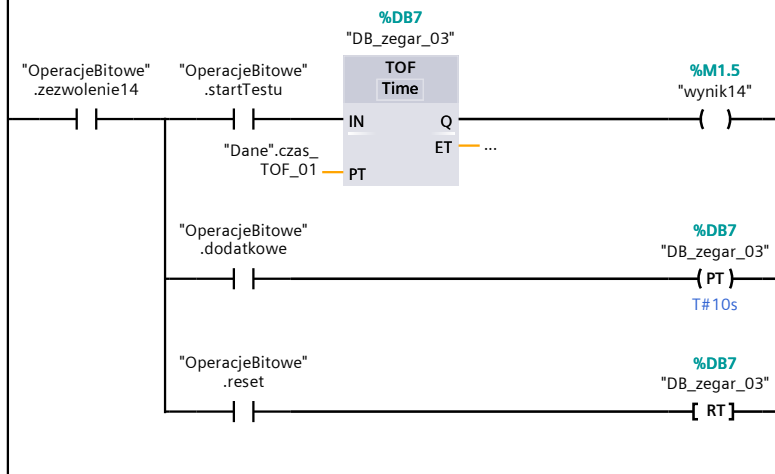
Network 16: Zegar w postaci cewki - resetowanie zegara. Zadanie wartości czasu z bloku danych



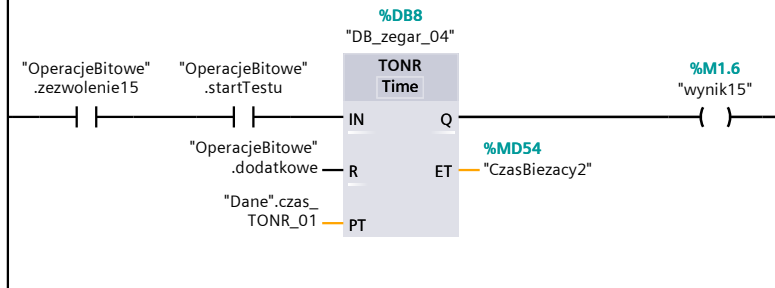
Network 17: Zegar TON z "podglądaniem" czasu bieżącego zegara



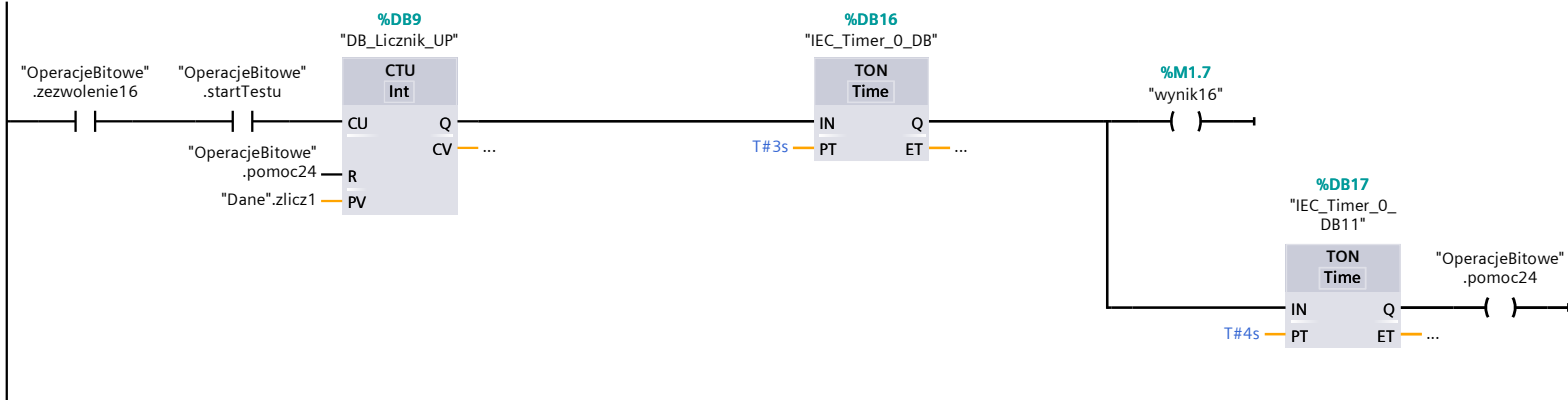
Network 18: Zegar TOF pamiętaj o zaimplementowaniu RESET - możliwa zmiana nastawy w trakcie działania zegara



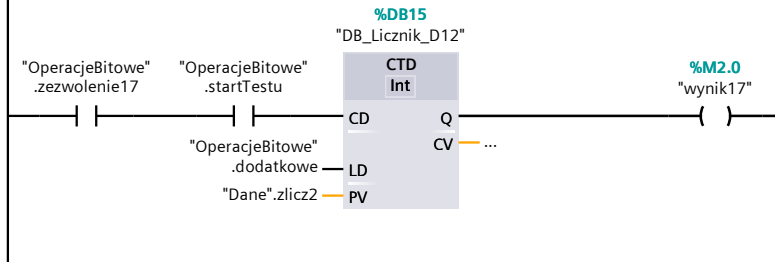
Network 19: Zegar TONR akumulowanie czasu



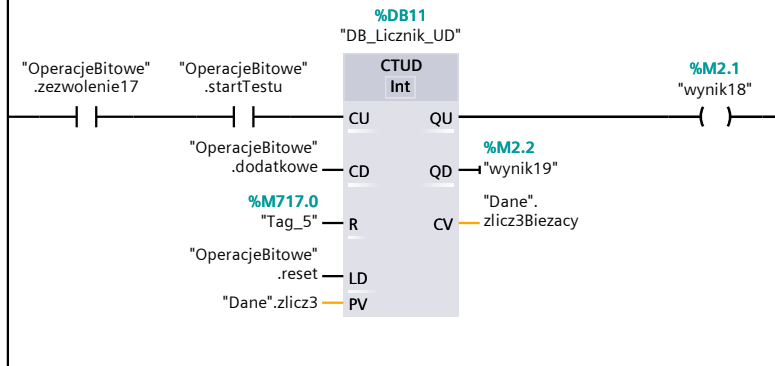
Network 20: Licznik zliczający w górę



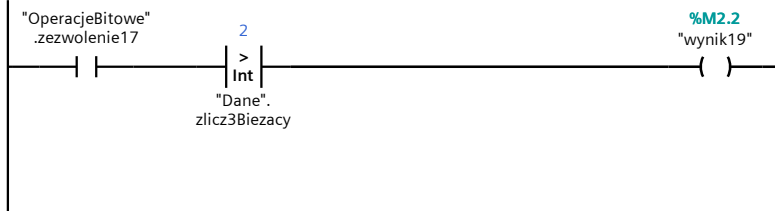
Network 21: Licznik zliczający w dół UWAGA na LD



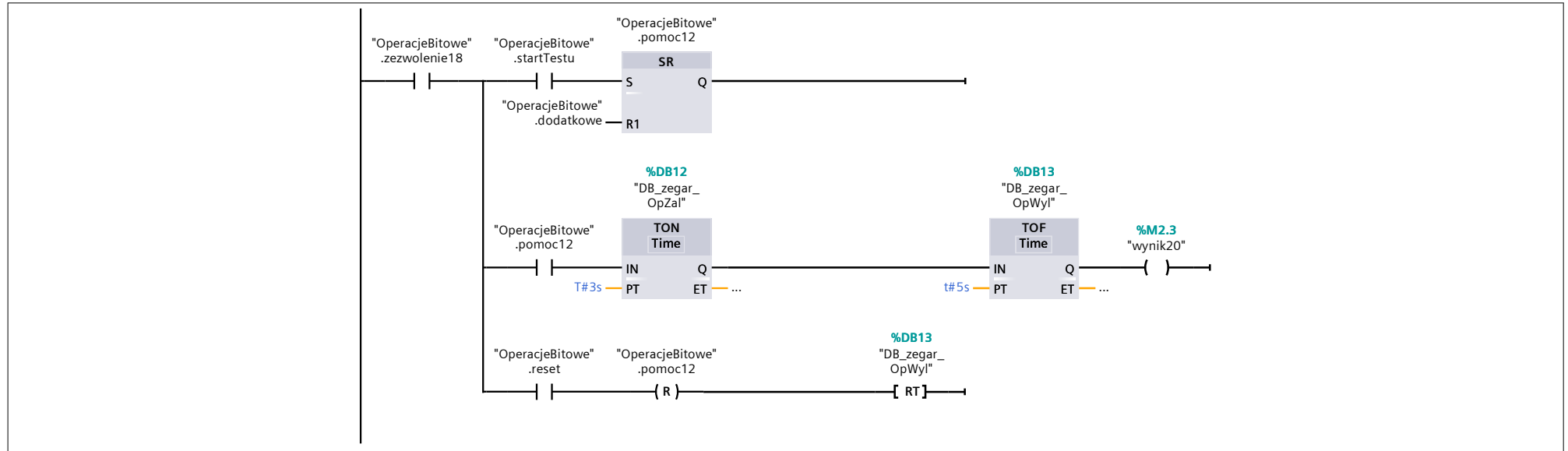
Network 22: Licznik rewersyjny



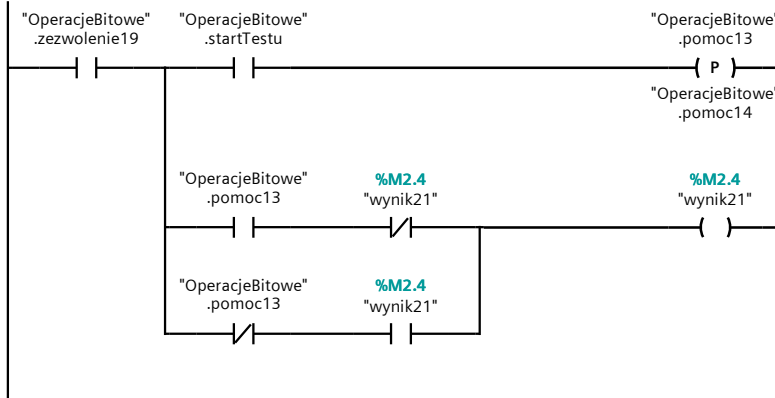
Network 23: Komparator



Network 25: Opóźnienie załączenia i wyłączenia



Network 26: Przerzutnik typu T (flip-flop)



Program blocks

OperacjeBitowe [DB1]

OperacjeBitowe Properties

General

Name	OperacjeBitowe	Number	1	Type	DB	Language	DB
Numbering	Automatic						

Information

Title		Author	Stanislaw_Flaga	Comment		Family	
Version	0.1	User-defined ID					

Name	Data type	Start value	Retain
▼ Static			
startTestu	Bool	false	False
dodatkowe	Bool	false	False
reset	Bool	false	False
zezwozenie1	Bool	0	False
zezwozenie2	Bool	0	False
zezwozenie3	Bool	0	False
zezwozenie4	Bool	0	False
zezwozenie5	Bool	0	False
zezwozenie6	Bool	0	False
zezwozenie7	Bool	0	False
zezwozenie8	Bool	0	False
zezwozenie9	Bool	0	False
zezwozenie10	Bool	0	False
zezwozenie11	Bool	0	False
zezwozenie12	Bool	0	False
zezwozenie13	Bool	0	False
zezwozenie14	Bool	0	False
zezwozenie15	Bool	0	False
zezwozenie16	Bool	0	False
zezwozenie17	Bool	0	False
zezwozenie18	Bool	0	False

Name	Data type	Start value	Retain
zezwozenie19	Bool	0	False
zezwozenie20	Bool	0	False
zezwozenie21	Bool	0	False
zezwozenie22	Bool	0	False
zezwozenie23	Bool	0	False
zezwozenie24	Bool	0	False
pomoc1	Bool	false	False
pomoc2	Bool	false	False
pomoc3	Bool	false	False
pomoc4	Bool	false	False
pomoc5	Bool	false	False
pomoc6	Bool	false	False
pomoc7	Bool	false	False
pomoc8	Bool	false	False
pomoc9	Bool	false	False
pomoc10	Bool	false	False
pomoc11	Bool	false	False
pomoc12	Bool	false	False
pomoc13	Bool	false	False
pomoc14	Bool	false	False
pomoc15	Bool	false	False
pomoc16	Bool	false	False
pomoc17	Bool	false	False
pomoc18	Bool	false	False
pomoc19	Bool	false	False
pomoc20	Bool	false	False
pomoc21	Bool	false	False
pomoc22	Bool	false	False
pomoc23	Bool	false	False
pomoc24	Bool	false	False

Program blocks

Dane [DB2]

Dane Properties

General

Name	Dane	Number	2	Type	DB	Language	DB
Numbering	Automatic						

Information

Title		Author	Stanislaw_Flaga	Comment		Family	
Version	0.1	User-defined ID					

Name	Data type	Start value	Retain
▼ Static			
▼ tablicaBitowa	Array[0..64] of Bool		False
tablicaBitowa[0]	Bool	false	False
tablicaBitowa[1]	Bool	false	False
tablicaBitowa[2]	Bool	false	False
tablicaBitowa[3]	Bool	false	False
tablicaBitowa[4]	Bool	false	False
tablicaBitowa[5]	Bool	false	False
tablicaBitowa[6]	Bool	false	False
tablicaBitowa[7]	Bool	false	False
tablicaBitowa[8]	Bool	false	False
tablicaBitowa[9]	Bool	false	False
tablicaBitowa[10]	Bool	false	False
tablicaBitowa[11]	Bool	false	False
tablicaBitowa[12]	Bool	false	False
tablicaBitowa[13]	Bool	false	False
tablicaBitowa[14]	Bool	false	False
tablicaBitowa[15]	Bool	false	False
tablicaBitowa[16]	Bool	false	False
tablicaBitowa[17]	Bool	false	False
tablicaBitowa[18]	Bool	false	False

Totally Integrated
Automation Portal

Name	Data type	Start value	Retain
tablicaBitowa[19]	Bool	false	False
tablicaBitowa[20]	Bool	false	False
tablicaBitowa[21]	Bool	false	False
tablicaBitowa[22]	Bool	false	False
tablicaBitowa[23]	Bool	false	False
tablicaBitowa[24]	Bool	false	False
tablicaBitowa[25]	Bool	false	False
tablicaBitowa[26]	Bool	false	False
tablicaBitowa[27]	Bool	false	False
tablicaBitowa[28]	Bool	false	False
tablicaBitowa[29]	Bool	false	False
tablicaBitowa[30]	Bool	false	False
tablicaBitowa[31]	Bool	false	False
tablicaBitowa[32]	Bool	false	False
tablicaBitowa[33]	Bool	false	False
tablicaBitowa[34]	Bool	false	False
tablicaBitowa[35]	Bool	false	False
tablicaBitowa[36]	Bool	false	False
tablicaBitowa[37]	Bool	false	False
tablicaBitowa[38]	Bool	false	False
tablicaBitowa[39]	Bool	false	False
tablicaBitowa[40]	Bool	false	False
tablicaBitowa[41]	Bool	false	False
tablicaBitowa[42]	Bool	false	False
tablicaBitowa[43]	Bool	false	False
tablicaBitowa[44]	Bool	false	False
tablicaBitowa[45]	Bool	false	False
tablicaBitowa[46]	Bool	false	False
tablicaBitowa[47]	Bool	false	False
tablicaBitowa[48]	Bool	false	False
tablicaBitowa[49]	Bool	false	False
tablicaBitowa[50]	Bool	false	False
tablicaBitowa[51]	Bool	false	False
tablicaBitowa[52]	Bool	false	False

Name	Data type	Start value	Retain
tablicaBitowa[53]	Bool	false	False
tablicaBitowa[54]	Bool	false	False
tablicaBitowa[55]	Bool	false	False
tablicaBitowa[56]	Bool	false	False
tablicaBitowa[57]	Bool	false	False
tablicaBitowa[58]	Bool	false	False
tablicaBitowa[59]	Bool	false	False
tablicaBitowa[60]	Bool	false	False
tablicaBitowa[61]	Bool	false	False
tablicaBitowa[62]	Bool	false	False
tablicaBitowa[63]	Bool	false	False
tablicaBitowa[64]	Bool	false	False
czasTP_01	Time	T#5s	True
czas_TON_01	Time	T#6s	True
czas_TOF_01	Time	T#7s	True
czas_TONR_01	Time	T#10s	True
zlicz1	Word	3	True
zlicz2	Word	4	True
zlicz3	Word	5	True
zlicz3Biezacy	Word	16#0	False

Program blocks / System blocks / Program resources

F_TRIG [FB1002]

F_TRIG Properties

General

Name	F_TRIG	Number	1002	Type	FB	Language	SCL
Numbering	Automatic						

Information

Title		Author	SIMATIC	Comment		Family	BIT
Version	1.0	User-defined ID	F_TRIG				

Name	Data type	Default value	Retain
▼ Input			
CLK	Bool	false	Non-retain
▼ Output			
Q	Bool	false	Non-retain
InOut			
▼ Static			
Stat_Bit	Bool	false	Non-retain

Program blocks / System blocks / Program resources

F_TRIG_DB_01 [DB3]

F_TRIG_DB_01 Properties

General

Name	F_TRIG_DB_01	Number	3	Type	DB	Language	DB
Numbering	Automatic						

Information

Title		Author	SIMATIC	Comment		Family	BIT
Version	1.0	User-defined ID	F_TRIG				

Name	Data type	Start value	Retain
▼ Input			
CLK	Bool	false	False
▼ Output			
Q	Bool	false	False
InOut			
▼ Static			
Stat_Bit	Bool	false	False

Program blocks / System blocks / Program resources

R_TRIG [FB1001]

R_TRIG Properties

General

Name	R_TRIG	Number	1001	Type	FB	Language	SCL
Numbering	Automatic						

Information

Title		Author	SIMATIC	Comment		Family	BIT
Version	1.0	User-defined ID	R_TRIG				

Name	Data type	Default value	Retain
▼ Input			
CLK	Bool	false	Non-retain
▼ Output			
Q	Bool	false	Non-retain
InOut			
▼ Static			
Stat_Bit	Bool	false	Non-retain

Program blocks / System blocks / Program resources

R_TRIG_DB_01 [DB4]

R_TRIG_DB_01 Properties

General

Name	R_TRIG_DB_01	Number	4	Type	DB	Language	DB
Numbering	Automatic						

Information

Title		Author	SIMATIC	Comment		Family	BIT
Version	1.0	User-defined ID	R_TRIG				

Name	Data type	Start value	Retain
▼ Input			
CLK	Bool	false	False
▼ Output			
Q	Bool	false	False
InOut			
▼ Static			
Stat_Bit	Bool	false	False

Program blocks / System blocks / Program resources

DB_zegar_01 [DB5]

DB_zegar_01 Properties

General

Name	DB_zegar_01	Number	5	Type	DB	Language	DB
Numbering	Automatic						

Information

Title		Author	Simatic	Comment		Family	IEC
Version	1.0	User-defined ID	IEC_TMR				

Name	Data type	Start value	Retain
▼ Static			
PT	Time	T#0ms	False
ET	Time	T#0ms	False
IN	Bool	false	False
Q	Bool	false	False

Program blocks / System blocks / Program resources

DB_zegar_02 [DB6]

DB_zegar_02 Properties

General

Name	DB_zegar_02	Number	6	Type	DB	Language	DB
Numbering	Automatic						

Information

Title		Author	Simatic	Comment		Family	IEC
Version	1.0	User-defined ID	IEC_TMR				

Name	Data type	Start value	Retain
▼ Static			
PT	Time	T#0ms	False
ET	Time	T#0ms	False
IN	Bool	false	False
Q	Bool	false	False

Program blocks / System blocks / Program resources

DB_zegar_03 [DB7]

DB_zegar_03 Properties

General

Name	DB_zegar_03	Number	7	Type	DB	Language	DB
Numbering	Automatic						

Information

Title		Author	Simatic	Comment		Family	IEC
Version	1.0	User-defined ID	IEC_TMR				

Name	Data type	Start value	Retain
▼ Static			
PT	Time	T#0ms	False
ET	Time	T#0ms	False
IN	Bool	false	False
Q	Bool	false	False

Program blocks / System blocks / Program resources

DB_zegar_04 [DB8]

DB_zegar_04 Properties

General

Name	DB_zegar_04	Number	8	Type	DB	Language	DB
Numbering	Automatic						

Information

Title		Author	Simatic	Comment		Family	IEC
Version	1.0	User-defined ID	IEC_TMR				

Name	Data type	Start value	Retain
▼ Static			
PT	Time	T#0ms	False
ET	Time	T#0ms	False
IN	Bool	false	False
Q	Bool	false	False

Program blocks / System blocks / Program resources

DB_Licznik_UP [DB9]

DB_Licznik_UP Properties

General

Name	DB_Licznik_UP	Number	9	Type	DB	Language	DB
Numbering	Automatic						

Information

Title		Author	Simatic	Comment		Family	IEC
Version	1.0	User-defined ID	CNTR				

Name	Data type	Start value	Retain
▼ Static			
CU	Bool	false	True
CD	Bool	false	True
R	Bool	false	True
LD	Bool	false	True
QU	Bool	false	True
QD	Bool	false	True
PV	Int	0	True
CV	Int	0	True

Program blocks / System blocks / Program resources

DB_Licznik_UD [DB11]

DB_Licznik_UD Properties

General

Name	DB_Licznik_UD	Number	11	Type	DB	Language	DB
Numbering	Automatic						

Information

Title		Author	Simatic	Comment		Family	IEC
Version	1.0	User-defined ID	CNTR				

Name	Data type	Start value	Retain
▼ Static			
CU	Bool	false	True
CD	Bool	false	True
R	Bool	false	True
LD	Bool	false	True
QU	Bool	false	True
QD	Bool	false	True
PV	Int	0	True
CV	Int	0	True

Program blocks / System blocks / Program resources

DB_zegar_OpZal [DB12]

DB_zegar_OpZal Properties

General

Name	DB_zegar_OpZal	Number	12	Type	DB	Language	DB
Numbering	Automatic						

Information

Title		Author	Simatic	Comment		Family	IEC
Version	1.0	User-defined ID	IEC_TMR				

Name	Data type	Start value	Retain
▼ Static			
PT	Time	T#0ms	False
ET	Time	T#0ms	False
IN	Bool	false	False
Q	Bool	false	False

Program blocks / System blocks / Program resources

DB_zegar_OpWyl [DB13]

DB_zegar_OpWyl Properties

General

Name	DB_zegar_OpWyl	Number	13	Type	DB	Language	DB
Numbering	Automatic						

Information

Title		Author	Simatic	Comment		Family	IEC
Version	1.0	User-defined ID	IEC_TMR				

Name	Data type	Start value	Retain
▼ Static			
PT	Time	T#0ms	False
ET	Time	T#0ms	False
IN	Bool	false	False
Q	Bool	false	False

Program blocks / System blocks / Program resources

DB_Licznik_D12 [DB15]

DB_Licznik_D12 Properties

General

Name	DB_Licznik_D12	Number	15	Type	DB	Language	DB
Numbering	Automatic						

Information

Title		Author	Simatic	Comment		Family	IEC
Version	1.0	User-defined ID	CNTR				

Name	Data type	Start value	Retain
▼ Static			
CU	Bool	false	True
CD	Bool	false	True
R	Bool	false	True
LD	Bool	false	True
QU	Bool	false	True
QD	Bool	false	True
PV	Int	0	True
CV	Int	0	True

Program blocks / System blocks / Program resources

IEC_Timer_0_DB [DB16]

IEC_Timer_0_DB Properties

General

Name	IEC_Timer_0_DB	Number	16	Type	DB	Language	DB
Numbering	Automatic						

Information

Title		Author	Simatic	Comment		Family	IEC
Version	1.0	User-defined ID	IEC_TMR				

Name	Data type	Start value	Retain
▼ Static			
PT	Time	T#0ms	False
ET	Time	T#0ms	False
IN	Bool	false	False
Q	Bool	false	False

Program blocks / System blocks / Program resources

IEC_Timer_0_DB11 [DB17]

IEC_Timer_0_DB11 Properties

General

Name	IEC_Timer_0_DB11	Number	17	Type	DB	Language	DB
Numbering	Automatic						

Information

Title		Author	Simatic	Comment		Family	IEC
Version	1.0	User-defined ID	IEC_TMR				

Name	Data type	Start value	Retain
▼ Static			
PT	Time	T#0ms	False
ET	Time	T#0ms	False
IN	Bool	false	False
Q	Bool	false	False