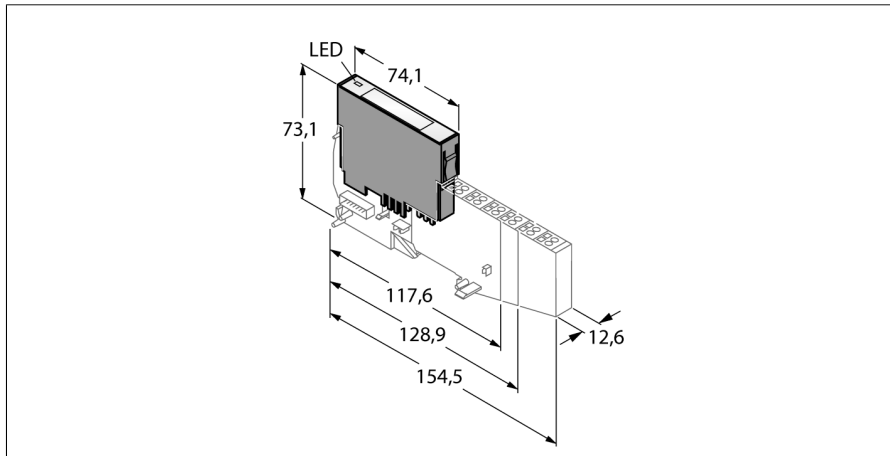


**BL20 electronic module**  
**2 analog outputs**  
**BL20-2AO-U(-10/0...+10VDC)**



- Fieldbus and connection technology independent
- Protection class IP20
- LEDs indicate status and diagnostic
- Electronics galvanically separated from the field level via optocouplers
- 2 analog outputs -10/0 ...+10 VDC

**Functional principle**

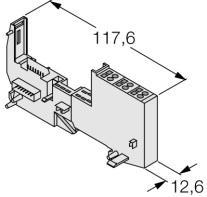
BL20 electronic modules are plugged into the purely passive base modules which are used for connection of field devices. Maintenance is significantly facilitated due to separation of the connection level from the module electronics. Furthermore flexibility is enhanced because the base modules provide a choice of tension spring or screw connection technology.

The electronic modules are completely independent of the type of higher level field bus through the use of gateways.

<b>Type designation</b>	BL20-2AO-U(-10/0...+10VDC)
Ident no.	6827033
<b>Number of channels</b>	2
Rated voltage from the supply terminal	24 VDC
Nominal current from field supply	≤ 50 mA
Nominal current from module bus	≤ 43 mA
Power dissipation, typical	≤ 1 W
<b>Connection technology</b>	screw, tension spring
<b>Outputs</b>	
Output type	-10/0 ...+10 VDC
Load resistance, resistive	> 1 kΩ
Load resistance, capacitive	< 1 μF
Potential separation	electronics for the field level
<b>Basic fault limit at 23 °C</b>	< 0.2 %
Repeatability	0.05 %
Temperature coefficient	< 300 ppm / °C of full scale
Resolution	16 Bit
Measured-value display	16 bit signed integer 12 bit signed integer left-justified 12 bit full range left-justified
Cycle time	≤ 10 ms
<b>Number of parameter bytes</b>	6
<b>Dimensions (W x L x H)</b>	12.6 x 74.1 x 55.4mm
Approvals	CE, cULus, zone 2, Class I, Div. 2
Operating temperature	0...+55 °C
Storage temperature	-25...+85 °C
Relative humidity	5 to 95% (internal), Level RH-2, no condensation (at 45 °C storage)
Vibration test	acc. to EN 61131
Shock test	acc. to IEC 68-2-27
Drop and topple	acc. to IEC 68-2-31 and free fall to IEC 68-2-32
Electro-magnetic compatibility	acc. to EN 50,082-2
Protection class	IP20

**BL20 electronic module**  
**2 analog outputs**  
**BL20-2AO-U(-10/0...+10VDC)**

**Compatible base modules**

	Type	Pin configuration
	<p><b>BL20-S3T-SBB</b>          6827044          Tension spring connection</p> <p><b>BL20-S3S-SBB</b>          6827045          Screw connection</p>	<p>Wiring Diagram</p> 