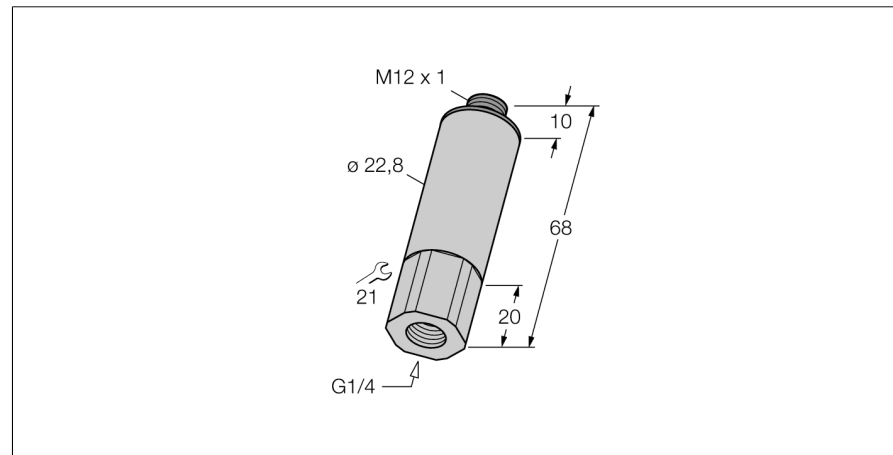
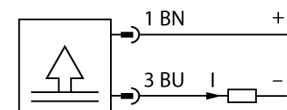


Pressure Transmitter with current output (2-wire) PT006R-11-LI3-H1131



- Compact and robust design
- Pressure connection with integrated peak pressure aperture
- Accuracy hardly affected by temperature within entire range -40...+125°C
- Excellent EMC properties
- Pressure range 0...6 bar

Wiring Diagram



| | |
|--|---|
| Type designation | PT006R-11-LI3-H1131 |
| Ident no. | 6831438 |
| Relative pressure | 0...6 bar rel. |
| Operating range | 0...87.02psi |
| Operating range | 0...0.6MPa |
| Admissible overpressure | ≤ 15 bar |
| Burst pressure | ≥ 15 bar |
| Response time | < 2 ms, typ. 1 ms |
| Power supply | |
| Operating voltage | 8...33 VDC |
| Current consumption | ≤ 4 mA |
| Protective measure | SELV according to EN 50178 |
| Short-circuit/reverse polarity protection | yes/ yes |
| Protection type and class | IP67/ III |
| Outputs | |
| Output 1 | Analog output |
| Analogue output | |
| Current output | 4...20mA |
| Operating range | 4...20 mA (2-wire) |
| Load | ≤ 1 kΩ |
| Accuracy LHR analog output | ± 0.3 % of final value BSL |
| Calibration accuracy 0-point | 0.3 % of final value |
| Calibration accuracy, of final value | 0.3 % of final value |
| Temperature behaviour | |
| Medium temperature | -40...+125 °C |
| Temperature coefficient zero point Tk0 | ± 0.15 % of full scale/10 K |
| Temperature coefficient span T _{is} | ± 0.15 % of full scale / 10 K |
| Ambient conditions | |
| Ambient temperature | -40...+85 °C |
| Storage temperature | -40...+85°C |
| Vibration resistance | 20 x g (9...2000 Hz, 2...9 Hz with an amplitude +/-15 mm), acc. to IEC 68-2-6 |
| Shock resistance | 100 g (11 ms) , according to IEC 61508 |
| Housing | |
| Housing material | Stainless-steel/Plastic, V2A (1.4305) |
| Pressure connection material | Stainless steel A2 1.4305 (AISI 303) |
| Pressure transducer material | Ceramics Al ₂ O ₃ |
| Sealing material | FPM |
| Process connection | G1/4" female thread |
| Wrench size pressure connection / coupling nut | SW 21 |
| Electrical connection | Connector, M12 (← 1 |
| Max. tightening torque housing nut | 20 Nm |

Functional principle

The pressure transmitters of the PT...-1 series operate with piezo-resistive ceramic measuring cells. The ceramic diaphragm is unbalanced in proportion to the pressure applied. Depending on the sensor type used, the processed signal is provided as an analog output signal 4...20mA (2-wire) or 0...10V (3-wire).

**Pressure Transmitter
with current output (2-wire)
PT006R-11-LI3-H1131**

Reference conditions acc. to IEC 61298-1

| | |
|----------------------|---------------------|
| Temperature | 15...+25 °C |
| Atmospheric pressure | 860...1060 hPa abs. |
| Humidity | 45...75 % rel. |
| Auxiliary power | 24 VDC |

| | |
|-------------|-------------------------------------|
| MTTF | 760 acc. to SN 29500 (Ed. 99) 40 °C |
|-------------|-------------------------------------|

**Pressure Transmitter
with current output (2-wire)
PT006R-11-LI3-H1131**

TURCK

Industrial
Automation

Wiring accessories

| Type code | Ident no. | Description | |
|---------------------|-----------|--|--|
| WKC4.4T-2/TEL | 6625025 | Connection cable, female M12, angled, 4-pin, cable length: 2 m, sheath material: PVC, black; cULus approval; other cable lengths and qualities available, see www.turck.com | |
| RKC4.4T-2/TXL | 6625503 | Connection cable, female M12, straight, 4-pin, cable length: 2 m, sheath material: PUR, black; cULus approval; other cable lengths and qualities available, see www.turck.com | |
| WKC4.4T-2/TXL | 6625515 | Connection cable, female M12, angled, 4-pin, cable length: 2 m, sheath material: PUR, black; cULus approval; other cable lengths and qualities available, see www.turck.com | |
| RKC4.4T-P7X2-10/TXL | 6626184 | Connection cable, female M12, angled, 4-pin, cable length: 10m, sheath material: PUR, black; cULus approval; other cable lengths and qualities available, see www.turck.com | |