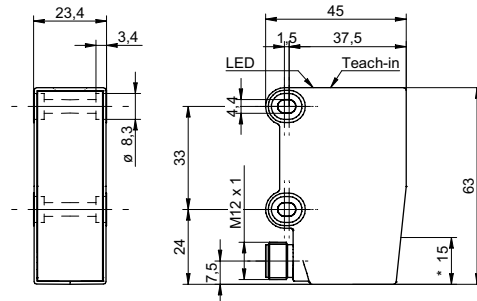


Distance sensors

OADK 25 (Laser)

sample drawing



* emitter axis

general data

| | |
|--------------------------|------------------------|
| measuring distance Sd | 100 ... 1000 mm |
| adjustment | Teach-in |
| Teach-in range min. | > 50 mm |
| power on indication | LED green |
| soiled lens indicator | LED red |
| resolution | 0,3 ... 4 mm |
| linearity error | ± 1,1 ... ± 15 mm |
| light source | pulsed red laser diode |
| wave length | 656 nm |
| laser class | 1 |
| beam type | point |
| beam diameter | 3,7 ... 13 mm |
| interference suppression | < 32 ms |

electrical data

| | |
|------------------------------------|----------------|
| response time / release time | < 12,8 ms |
| voltage supply range +Vs | 12 ... 30 VDC |
| current consumption max. (no load) | 80 mA |
| output circuit | analog |
| output current | < 100 mA |
| alarm output | push-pull |
| short circuit protection | yes |
| reverse polarity protection | yes, Vs to GND |

mechanical data

| | |
|------------------|--------------------------|
| width / diameter | 23,4 mm |
| height / length | 63 mm |
| depth | 45 mm |
| type | rectangular |
| housing material | plastic (SAN LURAN 378P) |
| front (optics) | PMMA |

ambient conditions

| | |
|------------------------|--------------|
| ambient light immunity | < 20 kLux |
| operating temperature | 0 ... +50 °C |
| protection class | IP 67 |

sample picture



laser warning

**CLASS 1 LASER
PRODUCT**

Complies with 21 CFR 1040.10 and 1040.11
except for deviations pursuant to laser
notice No. 50, dated June 24, 2007

Distance sensors

OADK 25 (Laser)

| order reference | output signal | connection types | load resistance (analog U) | load resistance (analog I) |
|--------------------------|---------------|---------------------|----------------------------|----------------------------|
| OADK 25I7480 | 4 ... 20 mA | cable, 2 m | - | $< (+V_s - 6 V) / 0,02 A$ |
| OADK 25I7480/S14C | 4 ... 20 mA | connector M12 5 pin | - | $< (+V_s - 6 V) / 0,02 A$ |
| OADK 25U7480 | 0 ... 10 VDC | cable, 2 m | $> 100 k\Omega$ | - |
| OADK 25U7480/S14C | 0 ... 10 VDC | connector M12 5 pin | $> 100 k\Omega$ | - |